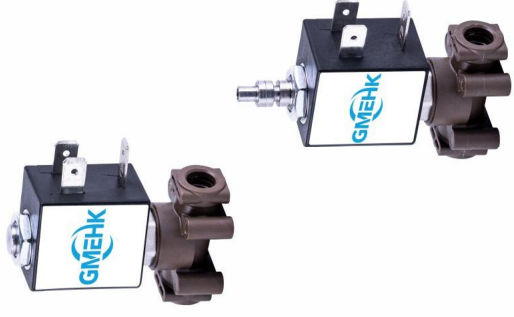


# 330 / 331 Series Valve 电磁阀

330 , 331 series solenoid valve is mainly used for coffee machine and beverage industry with high standard of food safety approval. The solenoid valve is in 2 - and 3-ways categories. This series provided different connection and voltage to me fulfill different types of demand with different international certification standards



330、331系列电磁阀主要用于食品安全认证标准较高的咖啡机和饮料行业.分为2通和3通两种类别.该系列产品提供了不同的电压力和连接方式,以满足不同类型的需求和不同的国际认证标准.

## 材料 Material

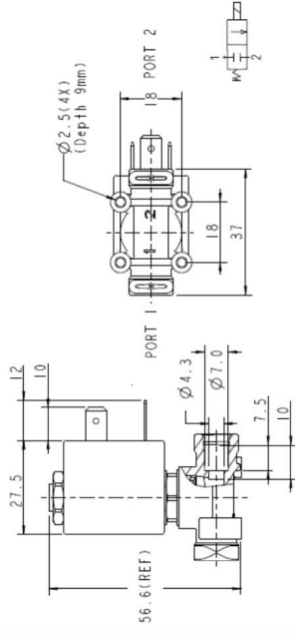
阀体 Body : PPS  
 限位芯 Pole Piece : Stainless Steel  
 锤芯 Plunger : Stainless Steel  
 密封件 Seal : FKM  
 弹簧 Spring : Stainless Steel



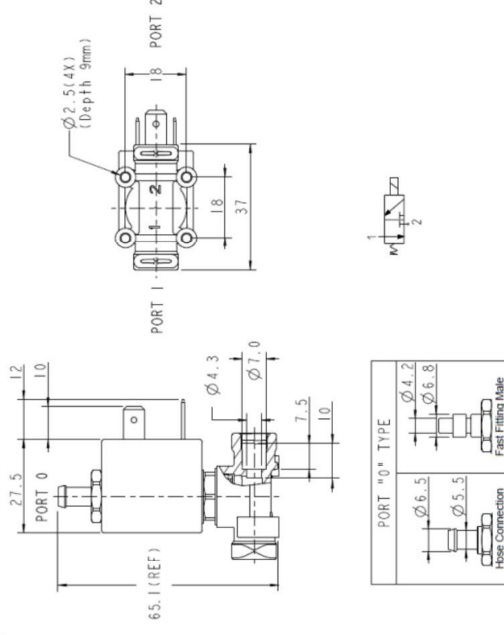
## 技术规格 Technical Specification

电压 Voltage	DC24V, 110V 50Hz / 120V 60Hz, 230V 50Hz / 240V 60Hz
孔径 Orifice size	1.2mm , 2.3mm
工作周期 Duty Cycle	100%ED
最大压差 330 Series M.O.P.D	15bar
最大压差 331 Series M.O.P.D	15bar @ 1.2mm , 5bar @ 2.3mm
介质 Medium	Water, Steam
环境温度 Ambient Temperature	-10 ~ 60°C
介质温度 Medium Temperature	0 ~ 140°C
结构 Configuration	Normal Close

330 Series Dimensions Drawing



331 Series Dimensions Drawing



## 产品特性 Characteristics

- 食品级 Food grade
- 耐高温 High temperature resistance
- 长寿命 Long life
- 密封性好 Good Tightness
- 装配简单 Assembly is simple